

FLAME MÄANDER SYNTHESIZER

Getting Started

Please download the quick guide in other languages and the complete current manual from our website: www.flame-instruments.com

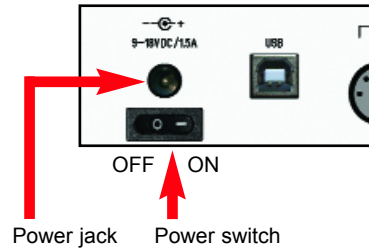


1

Here are some simple instructions on how to quickly plug in and try out your MÄANDER synthesizer.

First Step

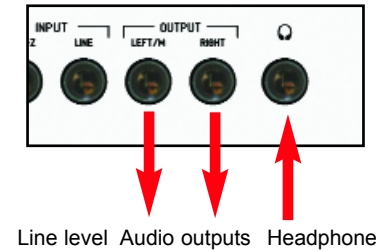
Unpack your MÄANDER, place it on a table while you become familiar with its features. Plug the 12V power adaptor's cord into the power jack. Then plug the power adaptor itself into a power outlet.



2

Connections

Connect two mono instrument cables from the LEFT/M and RIGHT out jacks to line-level inputs on your mixer. Turn the volume control on your mixer down but not off. Use the MAINOUT knob for the volume. Alternatively you can also connect your headphones directly to the MÄANDER. In this case use the PHONES knob for the volume.



3

Functions step by step

To learn step by step how to use the MÄANDER, first turn all controls to the positions shown in the figure below right:

4

Power on and load the first PATCH

Turn on the MÄANDER. The PATCH that was last called is loaded automatically. If you turn on the MÄANDER for the first time, this is PATCH 1. You can also load patches yourself as follows: Press the PATCH button once (the button will blink), turn the VALUE knob to select a PATCH (1..100), then press the PATCH button again. The patch also loads with all stored potentiometer positions.

Note: The next time the MÄANDER is turned on, the last loaded or saved PATCH will be loaded.

5

Play the first PATCH

A PATCH contains up to 4 bars (consisting of up to 15 sequencer tracks) such as tempo, potentiometer positions and the selected wavetable. PATCH 1 demonstrates the playback of a simple programmed note sequence with filter modulations by LFO, ADSR envelope and a 12 channel filter sequence.

6

START/STOP

Press the START button once (the button will blink). Now the pattern is played. The pattern is stopped again, if you briefly press the START button again (the button stops flashing).

TEMPO

You can change the TEMPO as follows: Press the TEMPO button once (now the display shows the tempo in bpm), then turn the VALUE knob to change the tempo (30..200 bpm) or use the TAP button (push briefly several times evenly at the desired speed).

7

WAVETABLE

With the pot COLOUR they move smoothly through the 64 waves of the loaded WAVETABLE.

You can load another WAVETABLE as follows: Press the WAVE button once (the button lights up), then turn the VALUE knob to load another wavetable (00-39) or another digitalsound (39=pwm square, 40=saw).

8

BANDLEVEL MIX

With the pot BANDLEVEL you fade between the filter modulation of the 12 band filter sequence (maximum left) and the filter modulation of the played notes or note sequence (maximum right). If you turn the pot in position SEQU (left position), you only hear the filter modulation through the currently playing filter sequence of the 12 filter channels.

9

AMP EG AMOUNT, CUTOFF, FILTERTYPE

If you turn the pot BANDLEVEL in position SYNTH (right position), you only hear the filter modulation of the currently played notes.

Use the pot "CUTOFF" to manually adjust the center frequency of the selected filter type.

Use the pot "AMP EG AMOUNT" to control the portion of the "AMP EG" (Amplitude envelope of the played notes) you want to act on the filter.

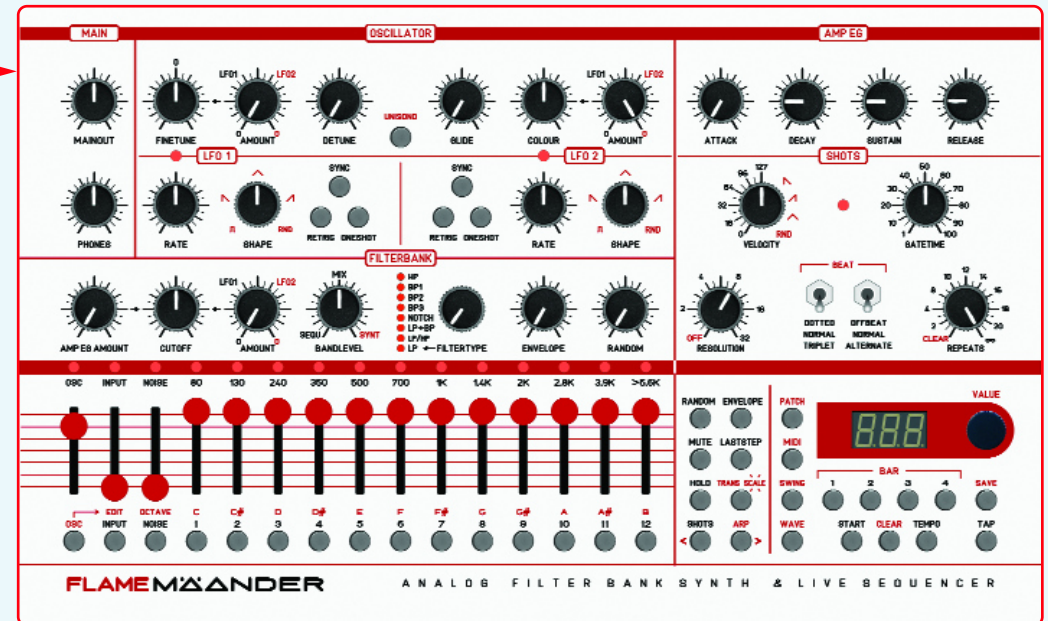
Try the 8 filter types and listen to their different characteristics.

10

BAR BUTTONS

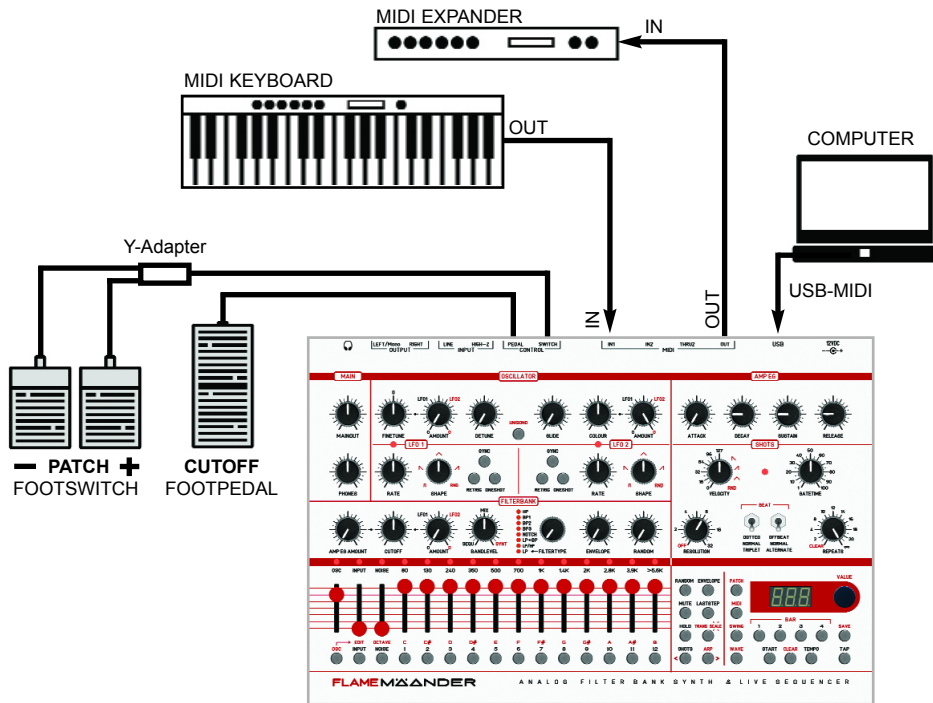
The pattern can be up to 4 bars long. You can play several or even one bar. Hold down the key of the first bar to be played and press the bars in the desired order one after the other.

Example: While holding down the BAR-2 key, press Bar-4 once and then Bar-3 once. Now the pattern plays in the order Bar 2-4-3.

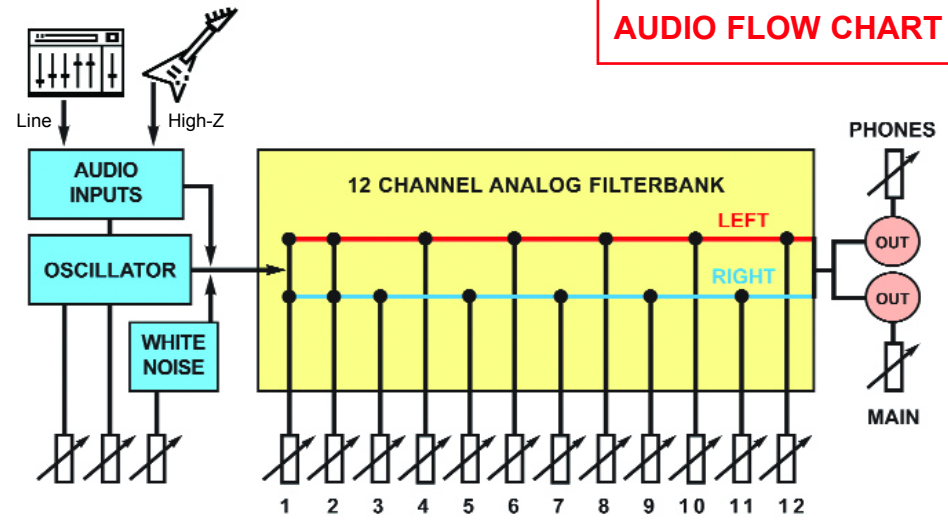


FLAME MÄANDER SYNTHESIZER Functional overview

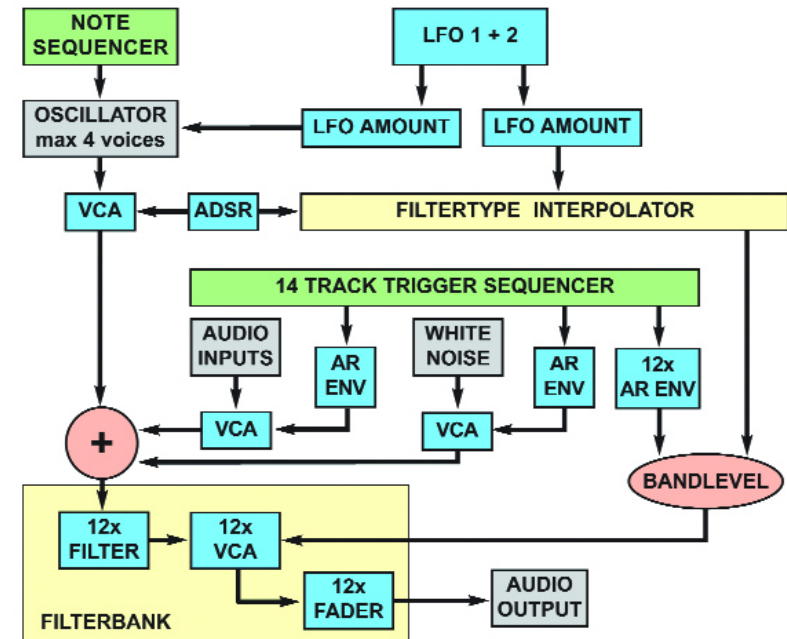
MIDI CONNECTION



AUDIO FLOW CHART



INTERNAL STRUCTURE



11

PLAY THE MÄANDER LIKE A SOUND EXPANDER WITH AN EXTERNAL KEYBOARD

Connect the MIDI OUT of the keyboard to a MIDI IN (1 or 2) of the MÄANDER. Set the MIDI output channel of the keyboard to the same value as the note track of the MÄANDER.

SET THE MIDI CHANNEL for the OSC note track as follows: Press the MIDI button once (the button lights up). The display shows "CHn". Now press the OSC button once (to select the note track). The display shows the MIDI channel. Then turn the VALUE knob to change the MIDI channel (1..16).

Please note: The selected channel is also the MIDI input and MIDI output channel of this track.

Also you can trigger the 14 tracks (INPUT, NOISE, FILTER 1-12) on a separate MIDI channel with MIDI notes. Each sequencer trigger track has its own note number (like a drum module).

SET THE MIDI CHANNEL for the 14 trigger tracks as follows: Press the MIDI button once (the button lights up). The display shows "CHn". Now press one of the filter buttons once (to select the trigger tracks). The display shows the MIDI channel. Then turn the VALUE knob to change the MIDI channel.

SET THE NOTE NUMBERS for each of the 14 trigger tracks as follows: Press the MIDI button until the display shows "not". Now press one of the 14 trigger buttons once. The display shows the note number of this track. Then turn the VALUE knob to change the note number. Set the other channels as well.

Turn the BANDLEVEL knob towards the **SYNTH** position. **See also steps 8 and 9!**

Turn the BANDLEVEL knob towards the **SEQU** position. **See also steps 8 and 9!**

Warranty: Beginning from the date of purchase a 2-year warranty is guaranteed for this device in case of any manufacturing errors or other functional deficiencies during runtime. The warranty does not apply in case of: damage caused by misuse - mechanical damage arising from careless treatment (dropping, vigorous shaking, mishandling, etc.) - damage caused by liquids penetrating the device - heat damage caused by overexposure to sunlight or heating - electric damage caused by improper connecting (wrong power supply/ jacks/ MIDI connections/ voltage problems). If you have any complaints please contact your dealer or send an e-mail to: service@flame-instruments.de **Terms of production:** conformity: CE, RoHS, UL **Disposal:** The device is produced with RoHS-conformity (subject to the regulations of the European Union) and is free of hazardous substances (like mercury, plumb, cadmium and hexavalent chrome). But electronic scrap is hazardous waste. Please don't add this to consumer waste. For an environment friendly disposal of waste please contact your distributor or specialist dealer. **Support:** Updated and additional informations, updates, downloads and more see: www.flame-instruments.de